



AVM TIMING PULLEY PVT. LTD.
(formerly known as Ultrahigh (india) Engineers)



**AVM BRAND
TIMING PULLEY**

MANUFACTURER | SUPPLIER | EXPORTER
OF TAPER LOCK TIMING PULLEY

www.avmtimingpulley.com



TAPER LOCK BUSH TIMING PULLEY

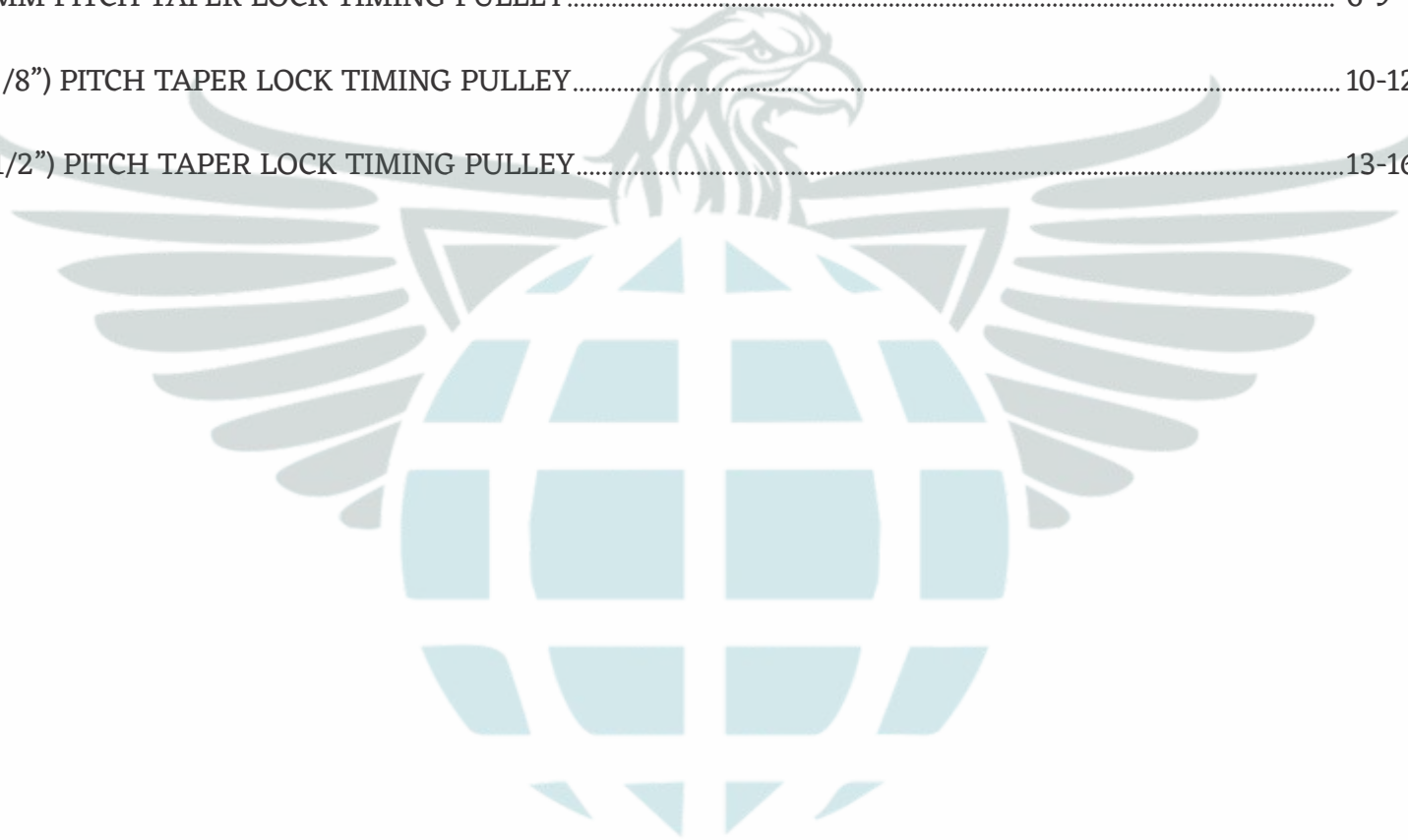
5MM PITCH TAPER LOCK TIMING PULLEY..... 1

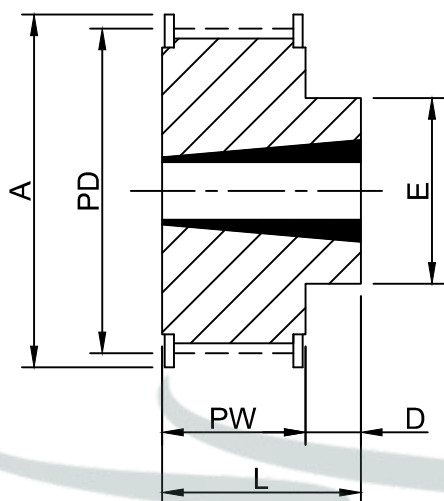
8MM PITCH TAPER LOCK TIMING PULLEY..... 2-5

14MM PITCH TAPER LOCK TIMING PULLEY..... 6-9

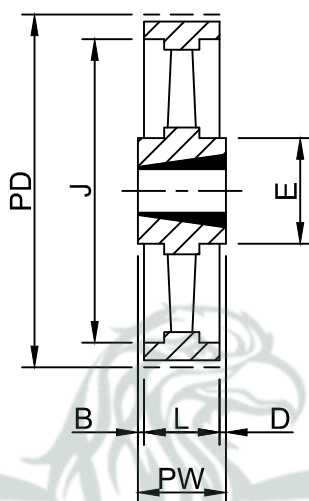
L(3/8”) PITCH TAPER LOCK TIMING PULLEY..... 10-12

H(1/2”) PITCH TAPER LOCK TIMING PULLEY.....13-16

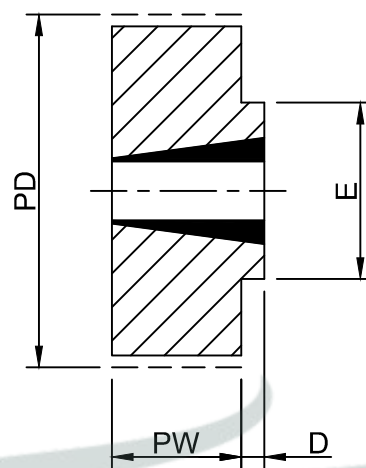




TYPE 2F



TYPE 10



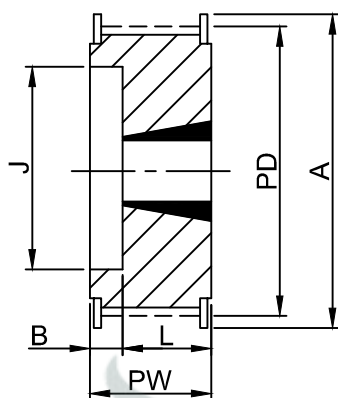
TYPE 11

TECHNICAL SPECIFICATIONS

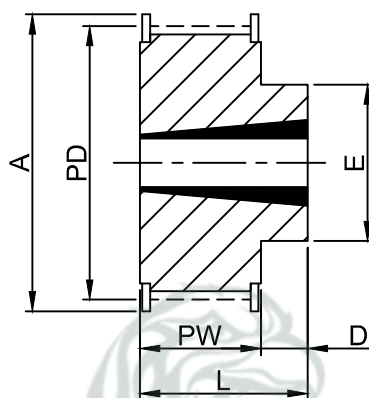
5mm Pitch Timing Pulleys For 15mm Wide Belts Ref. 5M 15

PART NO.	PULLEY SIZE	PULLEY TYPE	BUSH NO	MATERIAL	NO. OF TEETH	MAX BORE (MB)	PD	A	PW	J	B	L	D	E	APPROX WEIGHT (kg)
N0591	34-5M-15	2F	1008	C.I. / FG200	34	25	54.11	57	22	-	-	22	-	-	0.23
N0592	36-5M-15	2F	1108	C.I. / FG200	36	28	57.30	60	22	-	-	22	-	-	0.23
N0593	38-5M-15	2F	1108	C.I. / FG200	38	28	60.48	67	22	-	-	22	-	-	0.29
N0594	40-5M-15	2F	1108	C.I. / FG200	40	28	63.66	71	22	-	-	22	-	-	0.38
N0595	44-5M-15	2F	1108	C.I. / FG200	44	28	70.03	75	22	-	-	22	-	-	0.48
N0596	48-5M-15	2F	1210	C.I. / FG200	48	32	76.39	83	22	-	-	25	3	59	0.50
N0597	56-5M-15	2F	1210	C.I. / FG200	56	32	89.13	93	22	-	-	25	3	75	0.66
N0598	64-5M-15	2F	1210	C.I. / FG200	64	32	101.86	106	22	-	-	25	3	80	0.85
N0599	72-5M-15	11	1610	C.I. / FG200	72	42	114.59	-	22	-	-	25	3	92	1.25
N0600	80-5M-15	11	1610	C.I. / FG200	80	42	127.32	-	22	-	-	25	3	92	1.70
N0601	90-5M-15	10	1610	C.I. / FG200	90	42	143.24	-	22	126	-	25	3	92	2.25
N0602	112-5M-15	10	2012	C.I. / FG200	112	50	178.25	-	22	160	-	32	10	110	3.20
N0603	136-5M-15	10	2012	C.I. / FG200	136	50	216.45	-	22	199	-	32	10	110	3.60

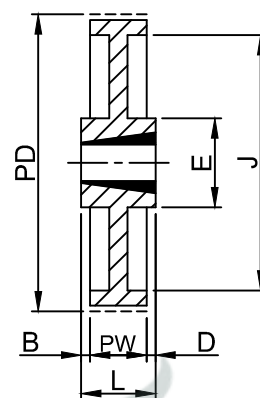
Please note all dimensions are in mm



TYPE 4F



TYPE 2F



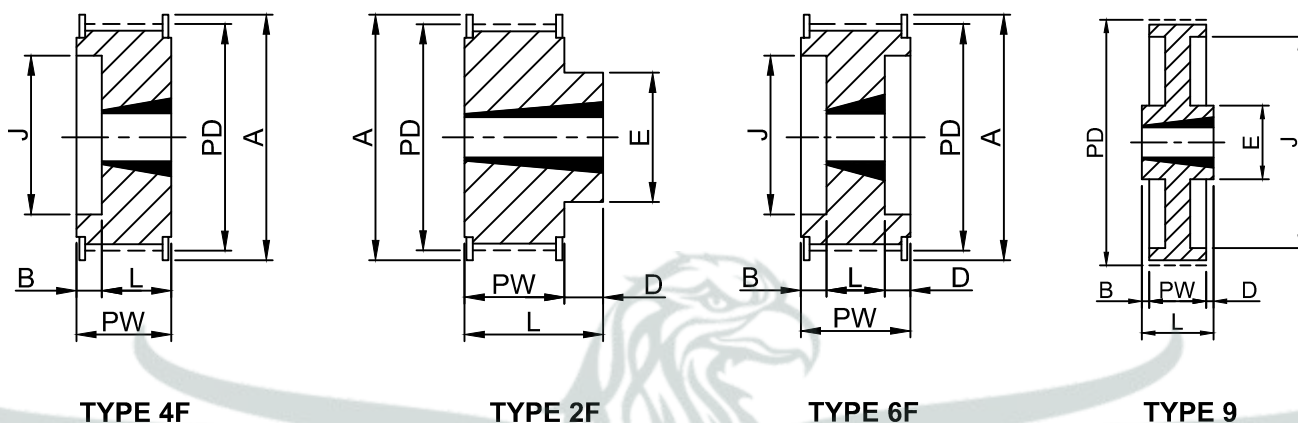
TYPE 9

TECHNICAL SPECIFICATIONS

8mm Pitch Timing Pulleys For 20mm Wide Belts Ref. 8M 20

PART NO.	PULLEY SIZE	PULLEY TYPE	BUSH NO	MATERIAL	NO. OF TEETH	MAX BORE (MB)	PD	A	PW	J	B	L	D	E	APPROX WEIGHT (kg)
N0604	22-8M-20	4F	1108	C.I. / FG200	22	25	56.02	60	28	37	6	22	-	-	0.26
N0605	24-8M-20	4F	1108	C.I. / FG200	24	28	61.12	66	28	44	6	22	-	-	0.30
N0606	26-8M-20	4F	1108	C.I. / FG200	26	28	66.21	70	28	45	6	22	-	-	0.36
N0607	28-8M-20	4F	1108	C.I. / FG200	28	28	71.30	75	28	50	6	22	-	-	0.44
N0608	30-8M-20	4F	1108	C.I. / FG200	30	28	76.39	83	28	58	6	22	-	-	0.53
N0609	32-8M-20	4F	1610	C.I. / FG200	32	42	81.49	87	28	63	3	25	-	-	0.42
N0610	34-8M-20	4F	1610	C.I. / FG200	34	42	86.58	91	28	64	3	25	-	-	0.55
N0611	36-8M-20	4F	1610	C.I. / FG200	36	42	91.67	97	28	68	3	25	-	-	0.68
N0612	38-8M-20	4F	1610	C.I. / FG200	38	42	96.77	102	28	72	3	25	-	-	0.80
N0613	40-8M-20	4F	1610	C.I. / FG200	40	42	101.86	106	28	76	3	25	-	-	1.00
N0614	44-8M-20	4F	2012	C.I. / FG200	44	50	112.05	120	28	-	-	32	4.00	92	1.20
N0615	48-8M-20	4F	2012	C.I. / FG200	48	50	122.23	128	28	-	-	32	4.00	96	1.60
N0616	56-8M-20	4F	2012	C.I. / FG200	56	50	142.60	150	28	-	-	32	4.00	110	2.40
N0617	64-8M-20	4F	2012	C.I. / FG200	64	50	162.97	168	28	-	-	32	4.00	110	2.70
N0618	72-8M-20	4F	2012	C.I. / FG200	72	50	183.35	192	28	-	-	32	4.00	110	3.30
N0619	80-8M-20	9	2021	C.I. / FG200	80	50	203.72	-	28	180	-	32	4.00	110	3.50
N0620	90-8M-20	9	2021	C.I. / FG200	90	50	229.18	-	28	204	-	32	4.00	110	3.65

Please note all dimensions are in mm

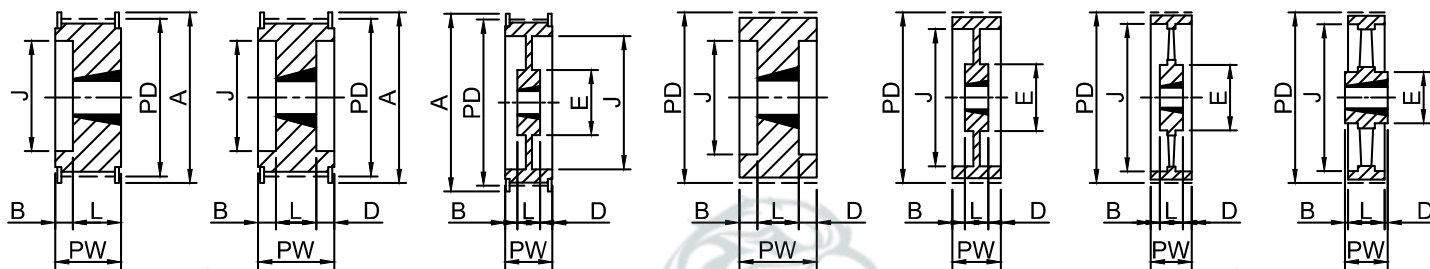


TECHNICAL SPECIFICATIONS

8mm Pitch Timing Pulleys For 30mm Wide Belts Ref. 8M 30

PART NO.	PULLEY SIZE	PULLEY TYPE	BUSH NO	MATERIAL	NO. OF TEETH	MAX BORE (MB)	PD	A	PW	J	B	L	D	E	APPROX WEIGHT (kg)
N0621	22-8M-30	4F	1108	C.I. / FG200	22	25	56.02	60	38	37	16	22	-	-	0.32
N0622	24-8M-30	4F	1108	C.I. / FG200	24	28	61.12	66	38	44	16	22	-	-	0.38
N0623	26-8M-30	4F	1108	C.I. / FG200	26	28	66.21	70	38	44	16	22	-	-	0.45
N0624	28-8M-30	4F	1210	C.I. / FG200	28	32	71.30	75	38	50	13	25	-	-	0.50
N0625	30-8M-30	2F	1615	C.I. / FG200	30	42	76.39	83	38	-	-	38	-	-	0.55
N0626	32-8M-30	2F	1615	C.I. / FG200	32	42	81.49	87	38	-	-	38	-	-	0.59
N0627	34-8M-30	2F	1615	C.I. / FG200	34	42	86.58	91	38	-	-	38	-	-	0.77
N0628	36-8M-30	2F	1615	C.I. / FG200	36	42	91.67	97	38	-	-	38	-	-	0.96
N0629	38-8M-30	2F	1615	C.I. / FG200	38	42	96.77	102	38	-	-	38	-	-	1.15
N0630	40-8M-30	2F	1615	C.I. / FG200	40	42	101.86	106	38	-	-	38	-	-	1.34
N0631	44-8M-30	4F	2012	C.I. / FG200	44	50	112.05	120	38	-	6	32	-	-	1.33
N0632	48-8M-30	4F	2012	C.I. / FG200	48	50	122.23	128	38	-	6	32	-	-	1.78
N0633	56-8M-30	6F	2012	C.I. / FG200	56	50	142.60	150	38	-	3	32	3	-	3.76
N0634	64-8M-30	2F	2517	C.I. / FG200	64	60	162.97	168	38	-	-	45	7	125	4.20
N0635	72-8M-30	2F	2517	C.I. / FG200	72	60	183.35	192	38	-	-	45	7	125	4.30
N0636	80-8M-30	9	2517	C.I. / FG200	80	60	203.72	-	38	180	-	45	7	125	4.60
N0637	90-8M-30	9	2517	C.I. / FG200	90	60	229.18	-	38	204	-	45	7	125	5.00
N0638	112-8M-30	9	2517	C.I. / FG200	112	60	285.21	-	38	204	-	45	7	125	6.20
N0639	144-8M-30	8	2517	C.I. / FG200	144	60	366.69	-	38	336	-	45	7	125	9.00

Please note all dimensions are in mm



TYPE 4F

TYPE 6F

TYPE 7F

TYPE 6

TYPE 7

TYPE 8

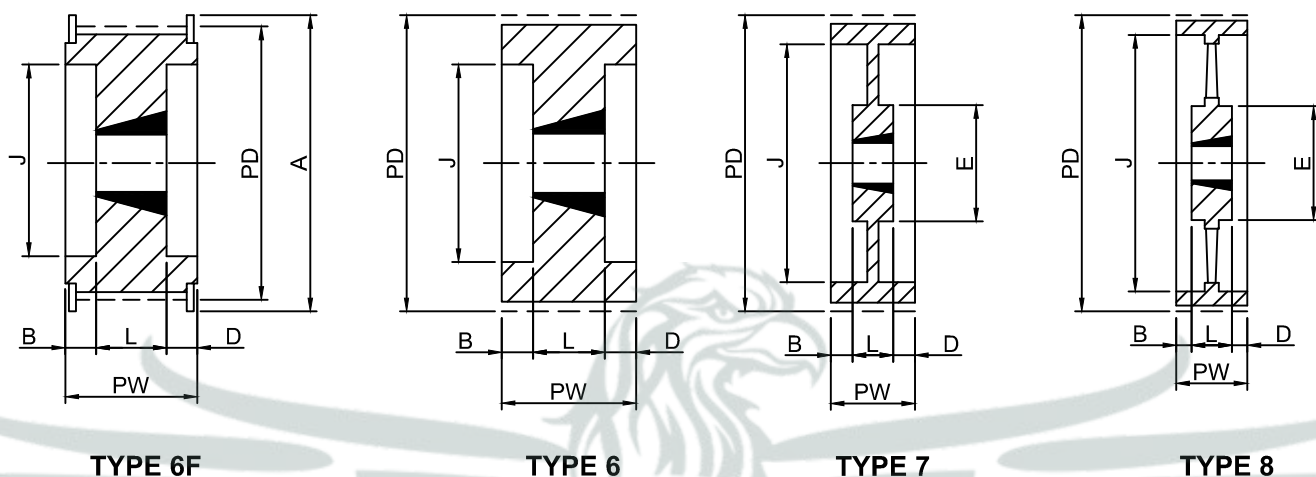
TYPE 10

TECHNICAL SPECIFICATIONS

8mm Pitch Timing Pulleys For 80mm Wide Belts Ref. 8M 50

PART NO.	PULLEY SIZE	PULLEY TYPE	BUSH NO	MATERIAL	NO. OF TEETH	MAX BORE (MB)	PD	A	PW	J	B	L	D	E	APPROX WEIGHT (kg)
N0640	28-8M-50	4F	1210	C.I. / FG200	28	32	71.30	75	60	50	35	25	-	-	0.60
N0641	30-8M-50	4F	1615	C.I. / FG200	30	42	76.39	83	60	58	22	38	-	-	0.65
N0642	32-8M-50	4F	1615	C.I. / FG200	32	42	81.49	87	60	63	22	38	-	-	0.82
N0643	34-8M-50	4F	1615	C.I. / FG200	34	42	86.58	91	60	65	22	38	-	-	1.06
N0644	36-8M-50	4F	1615	C.I. / FG200	36	42	91.67	97	60	68	22	38	-	-	1.30
N0645	38-8M-50	4F	1615	C.I. / FG200	38	42	96.77	102	60	72	22	38	-	-	1.60
N0646	40-8M-50	6F	2012	C.I. / FG200	40	50	101.86	106	60	80	14	32	14	-	1.71
N0647	44-8M-50	6F	2012	C.I. / FG200	44	50	112.05	120	60	86	14	32	14	-	1.78
N0648	48-8M-50	6F	2012	C.I. / FG200	48	50	122.23	128	60	95	14	32	14	-	2.30
N0649	56-8M-50	6F	2517	C.I. / FG200	56	60	142.60	150	60	116	7.5	45	7.5	-	3.40
N0650	64-8M-50	6F	2517	C.I. / FG200	64	60	162.97	168	60	136	7.5	45	7.5	-	5.00
N0651	72-8M-50	7F	2517	C.I. / FG200	72	60	183.35	192	60	158	7.5	45	7.5	125	6.70
N0652	80-8M-50	6	3020	C.I. / FG200	80	75	203.72	-	60	180	4.5	51	4.5	-	8.80
N0653	90-8M-50	7	3020	C.I. / FG200	90	75	229.18	-	60	204	4.5	51	4.5	160	10.00
N0654	112-8M-50	7	3020	C.I. / FG200	112	75	285.21	-	60	254	4.5	51	4.5	170	12.00
N0655	144-8M-50	8	3020	C.I. / FG200	144	75	366.96	-	60	336	4.5	51	4.5	170	15.20
N0656	168-8M-50	10	3525	C.I. / FG200	168	100	472.81	-	60	395	2.5	65	2.5	198	17.50
N0657	192-8M-50	10	3525	C.I. / FG200	192	100	488.92	-	60	455	2.5	65	2.5	198	24.00

Please note all dimensions are in mm

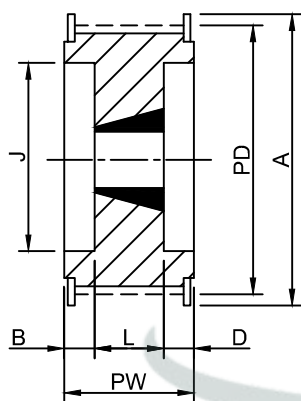


TECHNICAL SPECIFICATIONS

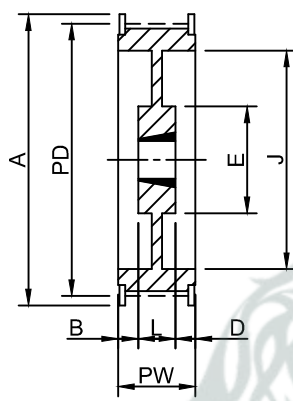
8mm Pitch Timing Pulleys For 80mm Wide Belts Ref. 8M 85

PART NO.	PULLEY SIZE	PULLEY TYPE	BUSH NO	MATERIAL	NO. OF TEETH	MAX BORE (MB)	PD	A	PW	J	B	L	D	E	APPROX WEIGHT (kg)
N0658	34-8M-85	6F	1615	C.I. / FG200	34	42	86.58	75	95	65	28	38	28	-	1.43
N0659	36-8M-85	6F	1615	C.I. / FG200	36	42	91.67	83	95	68	28	38	28	-	1.87
N0660	38-8M-85	6F	1615	C.I. / FG200	38	42	96.77	87	95	72	28	38	28	-	2.20
N0661	40-8M-85	6F	2012	C.I. / FG200	40	50	101.86	91	95	80	31	32	31	-	2.80
N0662	44-8M-85	6F	2012	C.I. / FG200	44	50	112.05	97	95	86	31	32	31	-	2.30
N0663	48-8M-85	6F	2517	C.I. / FG200	48	60	122.23	102	95	97	25	45	25	-	2.66
N0664	56-8M-85	6F	2517	C.I. / FG200	56	60	142.60	106	95	116	25	45	25	-	4.45
N0665	64-8M-85	6F	2517	C.I. / FG200	64	60	162.97	120	95	136	25	45	25	-	6.20
N0666	72-8M-85	6F	3020	C.I. / FG200	72	75	183.35	128	95	150	22	51	22	-	8.00
N0667	80-8M-85	6	3020	C.I. / FG200	80	75	203.72	-	95	180	22	51	22	-	10.00
N0668	90-8M-85	6	3020	C.I. / FG200	90	75	229.18	-	95	204	22	51	22	-	10.80
N0669	112-8M-85	7	3020	C.I. / FG200	112	75	285.21	-	95	254	22	51	22	170	15.00
N0670	144-8M-85	7	3020	C.I. / FG200	144	100	366.69	-	95	336	15	65	15	198	20.00
N0671	168-8M-85	8	3525	C.I. / FG200	168	100	427.81	-	95	395	15	65	15	198	22.00
N0672	192-8M-85	8	3525	C.I. / FG200	192	100	488.92	-	95	455	15	65	15	498	26.00

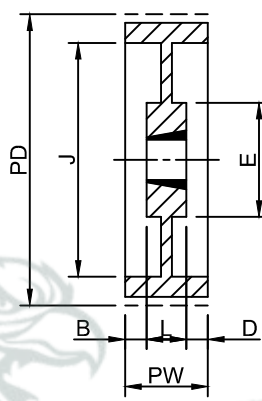
Please note all dimensions are in mm



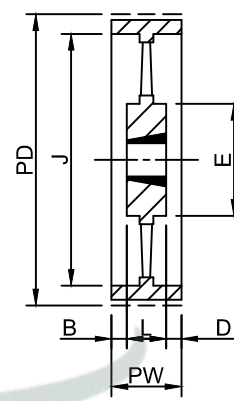
TYPE 6F



TYPE 7F



TYPE 7



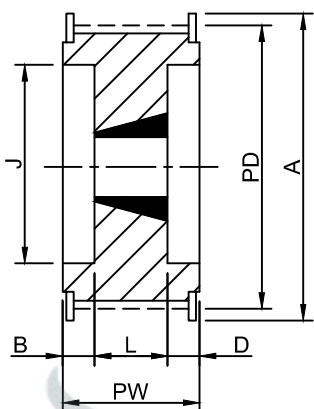
TYPE 8

TECHNICAL SPECIFICATIONS

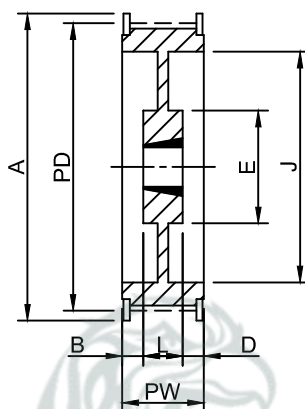
14mm Pitch Timing Pulleys For 40mm Wide Belts Ref. 14M 40

PART NO.	PULLEY SIZE	PULLEY TYPE	BUSH NO	MATERIAL	NO. OF TEETH	MAX BORE (MB)	PD	A	PW	J	B	L	D	E	APPROX WEIGHT (kg)
N0673	28-14M-40	6F	2012	C.I. / FG200	28	50	124.78	128	54	94	11	32	11	-	2.07
N0674	29-14M-40	6F	2012	C.I. / FG200	29	50	129.23	138	54	98	11	32	11	-	2.30
N0675	30-14M-40	6F	2012	C.I. / FG200	30	50	133.69	138	54	98	11	32	11	-	2.65
N0676	32-14M-40	6F	2012	C.I. / FG200	32	50	142.60	154	54	108	11	32	11	-	3.40
N0677	34-14M-40	6F	2517	C.I. / FG200	34	60	151.51	160	54	120	4.5	45	4.5	-	4.80
N0678	36-14M-40	6F	2517	C.I. / FG200	36	60	160.43	168	54	120	4.5	45	4.5	-	4.80
N0679	38-14M-40	6F	2517	C.I. / FG200	38	60	169.34	184	54	130	4.5	45	4.5	-	5.40
N0680	40-14M-40	6F	2517	C.I. / FG200	40	60	178.25	188	54	138	4.5	45	4.5	-	6.00
N0681	44-14M-40	6F	3020	C.I. / FG200	44	75	196.08	212	54	155	1.5	51	1.5	-	7.80
N0682	48-14M-40	6F	3020	C.I. / FG200	48	75	213.90	226	54	170	1.5	51	1.5	-	9.40
N0683	56-14M-40	6F	3020	C.I. / FG200	56	75	249.55	256	54	208	1.5	51	1.5	-	10.80
N0684	64-14M-40	7F	3020	C.I. / FG200	64	75	285.21	296	54	240	1.5	51	1.5	170	13.40
N0685	72-14M-40	7	3020	C.I. / FG200	72	75	401.07	-	54	360	1.5	51	1.5	170	17.80
N0686	80-14M-40	8	3020	C.I. / FG200	80	75	356.51	-	54	315	1.5	51	1.5	170	16.00
N0687	90-14M-40	8	3020	C.I. / FG200	90	75	401.07	-	54	360	1.5	51	1.5	170	17.80
N0688	112-14M-40	8	3020	C.I. / FG200	112	75	499.11	-	54	457	1.5	51	1.5	170	25.60
N0689	144-14M-40	8	3020	C.I. / FG200	144	75	641.71	-	54	600	1.5	51	1.5	170	32.00
N0690	168-14M-40	8	3020	C.I. / FG200	168	75	748.66	-	54	706	1.5	51	1.5	170	44.00
N091	192-14M-40	8	3020	C.I. / FG200	192	75	855.62	-	54	813	1.5	51	1.5	170	49.00

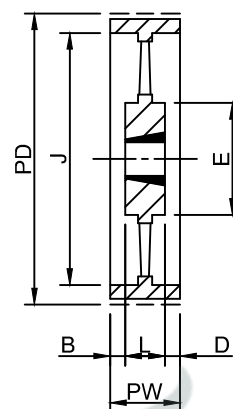
Please note all dimensions are in mm



TYPE 6F



TYPE 7F



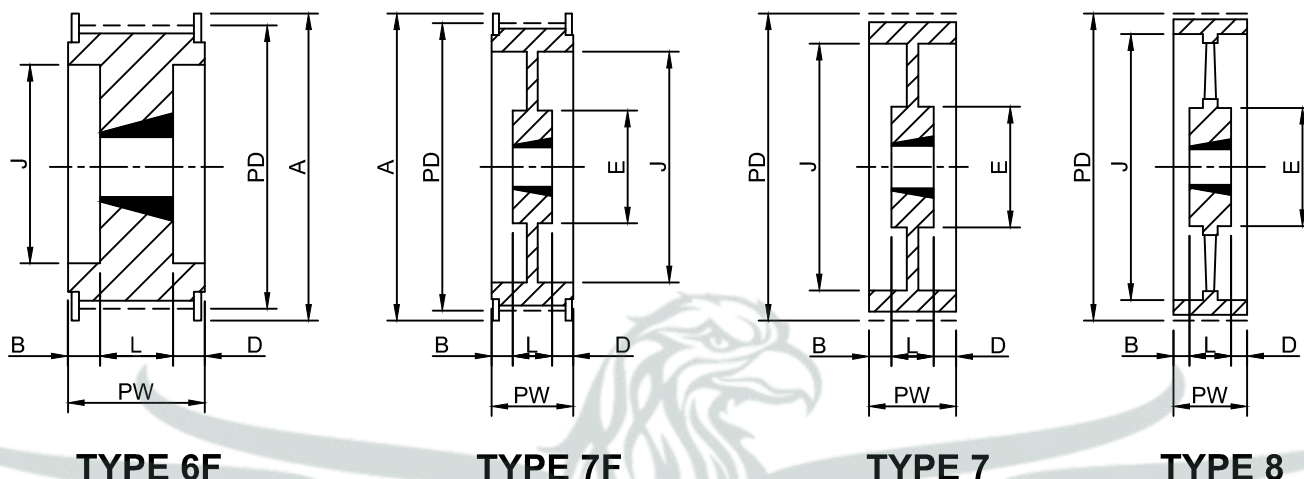
TYPE 8

TECHNICAL SPECIFICATIONS

14mm Pitch Timing Pulleys For 55mm Wide Belts Ref. 14M 55

PART NO.	PULLEY SIZE	PULLEY TYPE	BUSH NO	MATERIAL	NO. OF TEETH	MAX BORE (MB)	PD	A	PW	J	B	L	D	E	APPROX WEIGHT (kg)
N0692	28-14M-55	6F	2012	C.I. / FG200	28	50	124.78	128	70	94	19	32	19	-	2.20
N0693	29-14M-55	6F	2012	C.I. / FG200	29	50	129.23	138	70	98	19	32	19	-	2.50
N0694	30-14M-55	6F	2517	C.I. / FG200	30	60	133.69	138	70	100	12.5	45	12.5	-	2.70
N0695	32-14M-55	6F	2517	C.I. / FG200	32	60	142.60	154	70	108	12.5	45	12.5	-	3.60
N0696	34-14M-55	6F	2517	C.I. / FG200	34	60	151.51	160	70	110	12.5	45	12.5	-	4.55
N0697	36-14M-55	6F	2517	C.I. / FG200	36	60	160.43	168	70	120	12.5	45	12.5	-	5.20
N0698	38-14M-55	6F	2517	C.I. / FG200	38	60	169.34	184	70	130	12.5	45	12.5	-	6.20
N0699	40-14M-55	6F	2517	C.I. / FG200	40	60	178.25	188	70	138	12.5	45	12.5	-	7.00
N0700	44-14M-55	6F	3020	C.I. / FG200	44	75	196.08	212	70	155	9.5	51	9.5	-	8.60
N0701	48-14M-55	6F	3020	C.I. / FG200	48	75	213.90	226	70	170	9.5	51	9.5	-	10.40
N0702	56-14M-55	6F	3020	C.I. / FG200	56	75	249.55	256	70	208	9.5	51	9.5	-	12.40
N0703	64-14M-55	7F	3020	C.I. / FG200	64	75	285.21	296	70	240	9.5	51	9.5	170	14.50
N0704	72-14M-55	8	3020	C.I. / FG200	72	75	320.86	-	70	280	9.5	51	9.5	170	16.20
N0705	80-14M-55	8	3020	C.I. / FG200	80	75	356.51	-	70	315	9.5	51	9.5	170	17.50
N0706	90-14M-55	8	3020	C.I. / FG200	90	75	401.07	-	70	360	9.5	51	9.5	170	20.10
N0707	112-14M-55	8	3020	C.I. / FG200	112	75	499.11	-	70	457	9.5	51	9.5	170	28.40
N0708	144-14M-55	8	3020	C.I. / FG200	144	75	641.71	-	70	600	9.5	51	9.5	170	36.20
N0709	168-14M-55	8	3020	C.I. / FG200	168	75	748.66	-	70	706	9.5	51	9.5	170	49.00
N0710	192-14M-55	8	3020	C.I. / FG200	192	75	855.62	-	70	813	9.5	51	9.5	170	53.00

Please note all dimensions are in mm

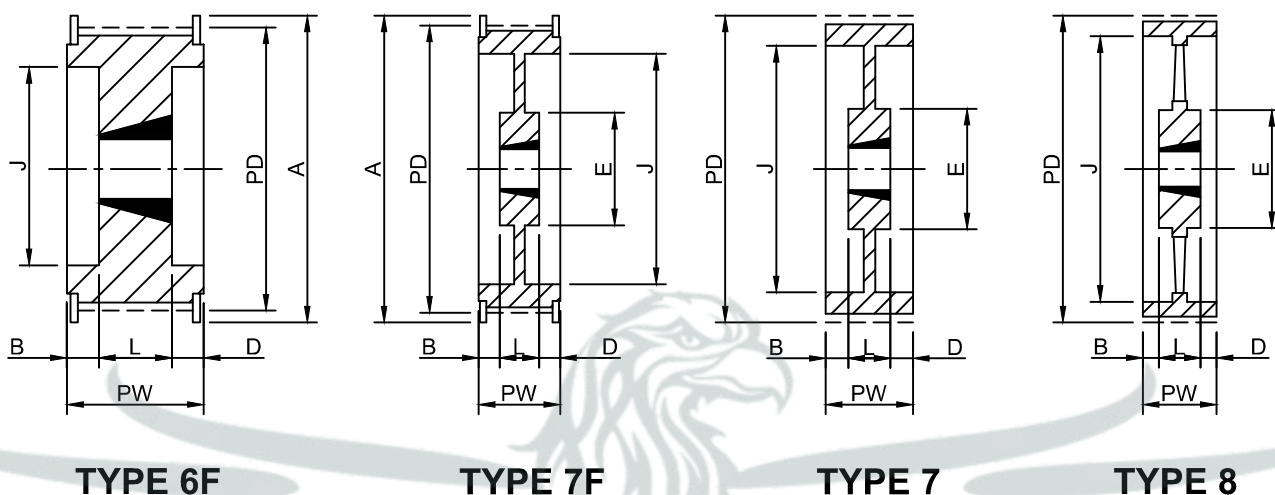


TECHNICAL SPECIFICATIONS

14mm Pitch Timing Pulleys For 85mm Wide Belts Ref. 14M 85

PART NO.	PULLEY SIZE	PULLEY TYPE	BUSH NO	MATERIAL	NO. OF TEETH	MAX BORE (MB)	PD	A	PW	J	B	L	D	E	APPROX WEIGHT (kg)
N0711	28-14M-85	6F	2517	C.I. / FG200	28	60	124.78	128	102	98	28.5	45	28.5	-	2.70
N0712	29-14M-85	6F	2517	C.I. / FG200	29	60	129.23	138	102	98	28.5	45	28.5	-	3.00
N0713	30-14M-85	6F	2517	C.I. / FG200	30	60	133.69	138	102	100	28.5	45	28.5	-	3.75
N0714	32-14M-85	6F	2517	C.I. / FG200	32	60	142.60	154	102	108	28.5	45	28.5	-	4.80
N0715	34-14M-85	6F	2517	C.I. / FG200	34	60	151.51	160	102	110	28.5	45	28.5	-	6.00
N0716	36-14M-85	6F	3020	C.I. / FG200	36	75	160.43	168	102	125	25.5	51	25.5	-	6.33
N0717	38-14M-85	6F	3020	C.I. / FG200	38	75	169.34	184	102	130	25.5	51	25.5	-	6.80
N0718	40-14M-85	6F	3020	C.I. / FG200	40	75	178.25	188	102	138	25.5	51	25.5	-	8.00
N0719	44-14M-85	6F	3030	C.I. / FG200	44	75	169.08	212	102	155	13	76	13	-	11.80
N0720	48-14M-85	6F	3030	C.I. / FG200	48	75	213.90	226	102	155	13	76	13	-	15.10
N0721	56-14M-85	6F	3525	C.I. / FG200	56	100	249.55	256	102	210	18.5	65	18.5	-	19.00
N0722	64-14M-85	7F	3525	C.I. / FG200	64	100	185.21	296	102	240	18.5	65	18.5	178	23.00
N0723	72-14M-85	7	3525	C.I. / FG200	72	100	320.86	-	102	280	18.5	65	18.5	178	25.00
N0724	80-14M-85	7	3525	C.I. / FG200	80	100	356.51	-	102	315	18.5	65	18.5	178	26.00
N0725	90-14M-85	8	3525	C.I. / FG200	90	100	401.07	-	102	360	18.5	65	18.5	178	27.80
N0726	112-14M-85	8	3525	C.I. / FG200	112	100	499.11	-	102	457	18.5	65	18.5	178	36.50
N0727	144-14M-85	8	3525	C.I. / FG200	144	100	641.71	-	102	600	18.5	65	18.5	206	48.00
N0728	168-14M-85	8	3525	C.I. / FG200	168	100	748.66	-	102	706	18.5	65	18.5	206	60.00
N0729	192-14M-85	8	4040	C.I. / FG200	192	115	855.62	-	102	813	-	102	-	216	86.00

Please note all dimensions are in mm

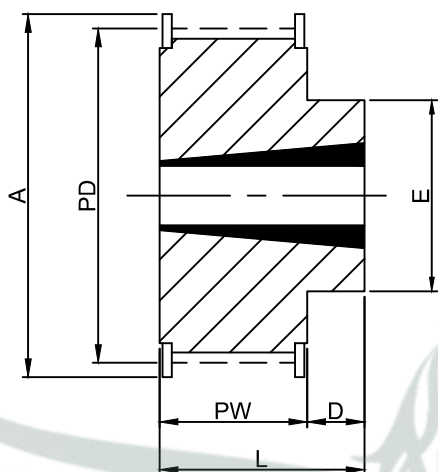


TECHNICAL SPECIFICATIONS

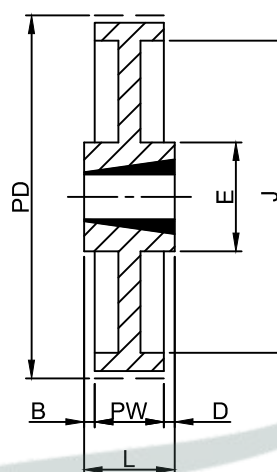
14mm Pitch Timing Pulleys For 115mm Wide Belts Ref. 14M 115

PART NO.	PULLEY SIZE	PULLEY TYPE	BUSH NO	MATERIAL	NO. OF TEETH	MAX BORE (MB)	PD	A	PW	J	B	L	D	E	APPROX WEIGHT (kg)
N0730	28-14M-115	6F	2517	C.I. / FG200	28	60	124.78	128	133	98	44	45	44	-	3.77
N0731	29-14M-115	6F	2517	C.I. / FG200	29	60	129.23	138	133	98	44	45	44	-	4.40
N0732	30-14M-115	6F	2517	C.I. / FG200	30	60	133.69	138	133	100	44	45	44	-	5.00
N0733	32-14M-115	6F	2517	C.I. / FG200	32	60	142.60	154	133	108	44	45	44	-	6.80
N0734	34-14M-115	6F	2517	C.I. / FG200	34	60	151.51	160	133	110	44	45	44	-	8.00
N0735	36-14M-115	6F	3020	C.I. / FG200	36	75	160.43	168	133	125	41	51	41	-	8.40
N0736	38-14M-115	6F	3020	C.I. / FG200	38	75	169.34	184	133	130	41	51	41	-	8.70
N0737	40-14M-115	6F	3020	C.I. / FG200	40	75	178.25	188	133	138	41	51	41	-	9.20
N0738	44-14M-115	6F	3030	C.I. / FG200	44	75	196.08	212	133	155	28.5	76	28.5	-	14.00
N0739	48-14M-115	6F	3030	C.I. / FG200	48	75	213.90	226	133	170	28.5	76	28.5	-	17.10
N0740	56-14M-115	6F	3535	C.I. / FG200	56	90	249.55	256	133	210	22	89	22	-	24.80
N0741	64-14M-115	7F	3535	C.I. / FG200	64	90	285.21	296	133	240	22	89	22	190	27.00
N0742	72-14M-115	7	3535	C.I. / FG200	72	90	320.86	-	133	280	22	89	22	190	29.00
N0743	80-14M-115	7	3535	C.I. / FG200	80	90	356.51	-	133	315	22	89	22	190	32.00
N0744	90-14M-115	7	3535	C.I. / FG200	90	90	401.07	-	133	360	22	89	22	190	36.50
N0745	112-14M-115	8	3535	C.I. / FG200	112	90	499.11	-	133	157	22	89	22	190	46.00
N0746	144-14M-115	8	3535	C.I. / FG200	144	100	641.71	-	133	600	6.5	102	6.5	230	68.00
N0747	168-14M-115	8	4040	C.I. / FG200	168	100	748.66	-	133	706	6.5	102	6.5	230	82.60
N0748	192-14M-115	8	4040	C.I. / FG200	192	100	855.62	-	133	813	6.5	102	6.5	230	96.00

Please note all dimensions are in mm



TYPE 2F



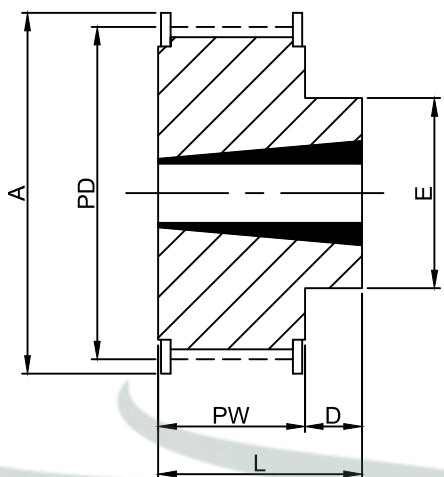
TYPE 9

TECHNICAL SPECIFICATIONS

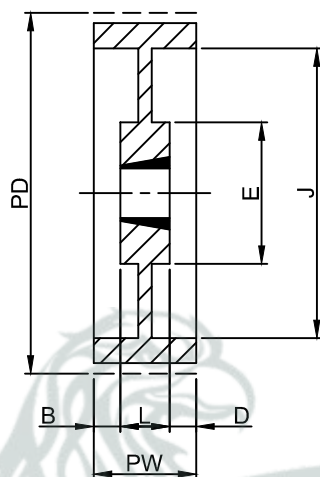
3/8" Pitch Pulley for 1/2" Wide belts. Ref. L050

PART NO.	PULLEY SIZE	PULLEY TYPE	BUSH NO	MATERIAL	NO. OF TEETH	MAX BORE (MB)	PD	A	PW	J	B	L	D	E	APPROX WEIGHT (kg)
N0835	18L050	2F	1108	C.I. / FG200	18	28	54.57	60	19	-	-	22	3	43	0.17
N0836	19L050	2F	1108	C.I. / FG200	19	28	57.61	64	19	-	-	22	3	43	0.20
N0837	20L050	2F	1108	C.I. / FG200	20	28	60.6	67	19	-	-	22	3	48	0.23
N0838	21L150	2F	1108	C.I. / FG200	21	28	63.67	70	19	-	-	22	3	48	0.30
N0839	22L050	2F	1108	C.I. / FG200	22	28	66.70	75	19	-	-	22	3	51	0.36
N0840	23L050	2F	1108	C.I. / FG200	23	28	69.73	79	19	-	-	22	3	54	0.41
N0841	24L050	2F	1108	C.I. / FG200	24	28	72.77	79	19	-	-	22	3	54	0.45
N0842	25L050	2F	1108	C.I. / FG200	25	28	75.80	83	19	-	-	22	3	56	0.50
N0843	26L050	2F	1108	C.I. / FG200	26	28	78.83	86	19	-	-	22	3	60	0.55
N0844	27L050	2F	1108	C.I. / FG200	27	28	81.86	86	19	-	-	22	3	62	0.61
N0845	28L050	2F	1108	C.I. / FG200	28	28	84.89	91	19	-	-	22	3	65	0.68
N0846	30L050	2F	1108	C.I. / FG200	30	28	90.96	98	19	-	-	22	3	70	0.82
N0847	32L050	2F	1108	C.I. / FG200	32	28	97.02	103	19	-	-	22	3	74	0.98
N0848	36L050	2F	1108	C.I. / FG200	36	28	109.15	115	19	-	-	22	3	85	1.38
N0849	40L050	2F	1610	C.I. / FG200	40	42	121.28	128	19	-	-	25	3	97	1.75
N0850	48L050	2F	1610	C.I. / FG200	48	42	145.53	151	19	120	6	25	6	88	1.76
N0851	60L050	9	1610	C.I. / FG200	60	42	181.91	-	19	165	3	25	3	92	2.18
N0852	72L050	9	1610	C.I. / FG200	72	42	218.30	-	19	202	3	25	3	92	3.00
N0853	84L050	9	1610	C.I. / FG200	84	42	254.68	-	19	238	3	25	3	92	4.00
N0854	96L050	9	2012	C.I. / FG200	96	50	291.06	-	19	275	6.5	32	6.5	106	5.50
N0855	120L050	9	2012	C.I. / FG200	120	50	363.83	-	19	344	6.5	32	6.5	106	6.80

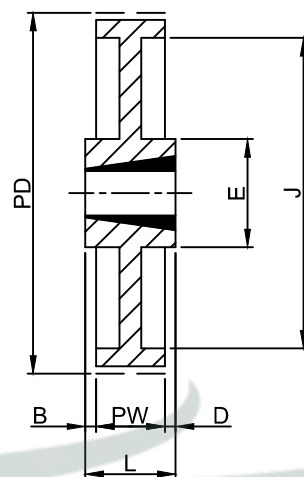
Please note all dimensions are in mm



TYPE 2F



TYPE 7



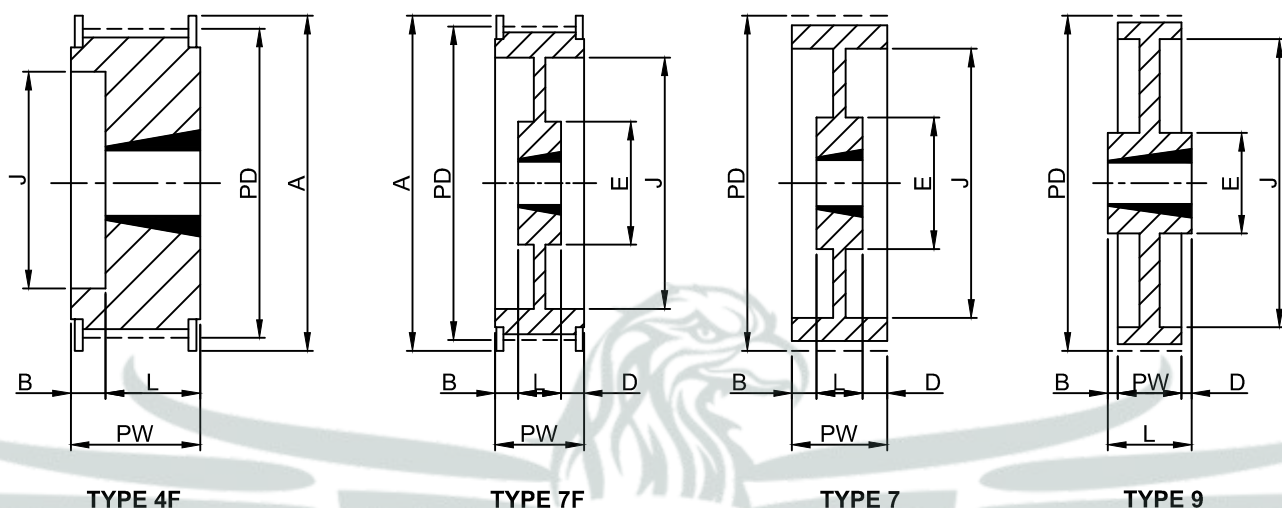
TYPE 9

TECHNICAL SPECIFICATIONS

3/8" Pitch Pulley for 3/4" Wide belts. Ref. L075

PART NO.	PULLEY SIZE	PULLEY TYPE	BUSH NO	MATERIAL	NO. OF TEETH	MAX BORE (MB)	PD	A	PW	J	B	L	D	E	APPROX WEIGHT (kg)
N0856	18L075	2F	1108	C.I. / FG200	18	28	54.57	60	25	-	-	25	-	-	0.24
N0857	19L075	2F	1108	C.I. / FG200	19	28	57.61	64	25	-	-	25	-	-	0.28
N0858	20L075	2F	1108	C.I. / FG200	20	28	60.64	67	25	-	-	25	-	-	0.33
N0859	21L075	2F	1108	C.I. / FG200	21	28	63.67	70	25	-	-	25	-	-	0.38
N0860	22L075	2F	1108	C.I. / FG200	22	28	66.70	75	25	-	-	25	-	-	0.45
N0861	23L075	2F	1108	C.I. / FG200	23	28	69.73	79	25	-	-	25	-	-	0.52
N0862	24L075	2F	1108	C.I. / FG200	24	28	72.77	79	25	-	-	25	-	-	0.58
N0863	25L075	2F	1108	C.I. / FG200	25	28	75.80	83	25	-	-	25	-	-	0.64
N0864	26L075	2F	1108	C.I. / FG200	26	28	78.83	86	25	-	-	25	-	-	0.71
N0865	27L075	2F	1108	C.I. / FG200	27	28	81.86	86	25	-	-	25	-	-	0.79
N0866	28L075	2F	1108	C.I. / FG200	28	28	84.89	91	25	-	-	25	-	-	0.86
N0867	30L075	2F	1108	C.I. / FG200	30	28	90.96	98	25	-	-	25	-	-	1.04
N0868	32L075	2F	1108	C.I. / FG200	32	28	97.02	103	25	-	-	25	-	-	1.21
N0869	36L075	2F	1610	C.I. / FG200	36	42	109.15	115	25	-	-	25	-	-	1.41
N0870	40L075	2F	1610	C.I. / FG200	40	42	121.28	128	25	-	-	25	-	-	1.86
N0871	48L075	2F	1610	C.I. / FG200	48	42	145.53	151	25	120	-	25	-	92	2.50
N0872	60L075	7	1610	C.I. / FG200	60	42	181.91	-	25	166	-	25	-	92	3.00
N0873	72L075	7	1610	C.I. / FG200	72	42	218.30	-	25	202	-	25	-	92	4.00
N0874	84L075	9	2012	C.I. / FG200	84	50	254.68	-	25	236	3.5	32	3.5	106	5.20
N0875	96L075	9	2012	C.I. / FG200	96	50	291.06	-	25	270	3.5	32	3.5	106	6.50
N0876	120L075	9	2012	C.I. / FG200	120	50	363.83	-	25	343	3.5	32	3.5	106	7.60

Please note all dimensions are in mm

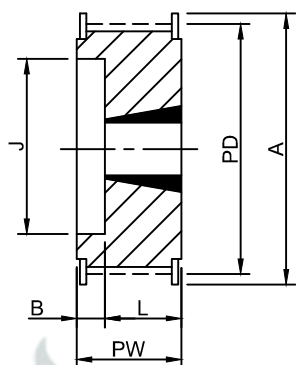


TECHNICAL SPECIFICATIONS

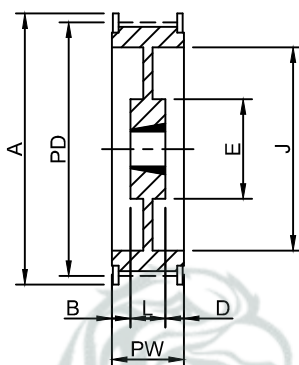
3/8" Pitch Pulley for 1" Wide belts. Ref. L100

PART NO.	PULLEY SIZE	PULLEY TYPE	BUSH NO	MATERIAL	NO. OF TEETH	MAX BORE (MB)	PD	A	PW	J	B	L	D	E	APPROX WEIGHT (kg)
N0877	18L100	4F	1108	C.I. / FG200	18	28	54.57	60	32	38	10	22	-	-	0.25
N0878	19L100	4F	1108	C.I. / FG200	19	28	57.61	64	32	38	10	22	-	-	0.31
N0879	20L100	4F	1108	C.I. / FG200	20	28	60.64	67	32	45	10	22	-	-	0.36
N0880	21L100	4F	1108	C.I. / FG200	21	28	63.67	70	32	5	10	22	-	-	0.41
N0881	22L100	4F	1108	C.I. / FG200	22	28	66.70	75	32	48	10	22	-	-	0.47
N0882	23L100	4F	1108	C.I. / FG200	23	28	69.73	79	32	52	10	22	-	-	0.53
N0883	24L100	4F	1108	C.I. / FG200	24	28	72.77	79	32	52	10	22	-	-	0.60
N0884	25L100	4F	1108	C.I. / FG200	25	28	75.80	83	32	54	10	22	-	-	0.67
N0885	26L100	4F	1108	C.I. / FG200	26	28	78.83	86	32	60	10	22	-	-	0.73
N0886	27L100	4F	1108	C.I. / FG200	27	28	81.83	86	32	60	10	22	-	-	0.80
N0887	28L100	4F	1108	C.I. / FG200	28	28	87.89	91	32	65	10	22	-	-	0.87
N0888	30L100	4F	1210	C.I. / FG200	30	32	90.96	96	32	71	7	25	-	-	0.98
N0889	32L100	4F	1210	C.I. / FG200	32	32	97.02	103	32	75	7	25	-	-	1.18
N0890	36L100	4F	1210	C.I. / FG200	36	42	109.15	115	32	86	7	25	-	-	1.42
N0891	40L100	7F	1610	C.I. / FG200	40	42	121.28	128	32	96	3.5	25	3.5	90	1.70
N0892	48L100	7F	1610	C.I. / FG200	48	42	145.53	151	32	110	3.5	25	3.5	92	2.70
N0893	60L100	7	1610	C.I. / FG200	60	42	181.91	-	32	166	3.5	25	3.5	92	2.40
N0894	72L100	9	2012	C.I. / FG200	72	50	218.30	-	32	202	-	32	-	106	4.40
N0895	84L100	9	2012	C.I. / FG200	84	50	254.68	-	32	236	-	32	-	106	6.00
N0896	96L100	9	2012	C.I. / FG200	96	50	291.06	-	32	270	-	32	-	106	7.10
N0897	120L100	9	2012	C.I. / FG200	120	50	363.83	-	32	343	-	32	-	106	8.50

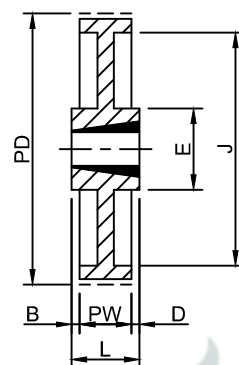
Please note all dimensions are in mm



TYPE 4F



TYPE 7F



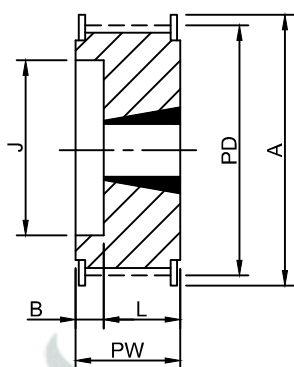
TYPE 9

TECHNICAL SPECIFICATIONS

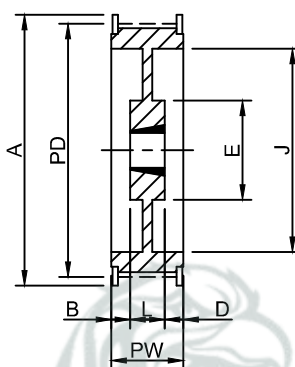
1/2" Pitch Pulley for 1" Wide belts. Ref. H100

PART NO.	PULLEY SIZE	PULLEY TYPE	BUSH NO	MATERIAL	NO. OF TEETH	MAX BORE (MB)	PD	A	PW	J	B	L	D	E	APPROX WEIGHT (kg)
N0749	16H100	4F	1108	C.I. / FG200	16	28	64.68	70	32	45	7	22	-	-	0.88
N0750	18H100	4F	1210	C.I. / FG200	18	32	72.77	79	32	52	7	25	-	-	1.06
N0751	19H100	4F	1210	C.I. / FG200	19	32	76.81	83	32	56	7	25	-	-	1.23
N0752	20H100	4F	1210	C.I. / FG200	20	32	80.95	87	32	60	7	25	-	-	1.33
N0753	21H100	4F	1210	C.I. / FG200	21	32	84.89	91	32	64	7	25	-	-	1.43
N0754	22H100	4F	1210	C.I. / FG200	22	32	88.94	95	32	67	7	25	-	-	1.63
N0755	23H100	4F	1610	C.I. / FG200	23	42	92.98	98	32	70	7	25	-	-	1.85
N0756	24H100	4F	1610	C.I. / FG200	24	42	97.02	103	32	74	7	25	-	-	1.93
N0757	25H100	4F	1610	C.I. / FG200	25	42	101.06	106	32	77	7	25	-	-	2.07
N0758	26H100	4F	1610	C.I. / FG200	26	42	105.11	112	32	82	7	25	-	-	2.30
N0759	27H100	4F	1610	C.I. / FG200	27	42	109.15	115	32	85	7	25	-	-	2.40
N0760	28H100	4F	1610	C.I. / FG200	28	42	113.19	120	32	90	7	25	-	-	2.53
N0761	30H100	4F	1610	C.I. / FG200	30	42	121.28	128	32	98	7	25	-	-	2.93
N0762	32H100	7F	1610	C.I. / FG200	32	42	129.36	135	32	106	3.5	25	3.5	80	3.06
N0763	36H100	7F	1610	C.I. / FG200	36	42	145.53	151	32	121	3.5	25	3.5	92	3.92
N0764	40H100	7F	1610	C.I. / FG200	40	42	161.70	168	32	138	3.5	25	3.5	92	4.95
N0765	44H100	7F	2012	C.I. / FG200	44	50	177.87	184	32	152	-	32	-	106	6.92
N0766	48H100	7F	2012	C.I. / FG200	48	50	194.04	200	32	169	-	32	-	106	5.30
N0767	60H100	9	2012	C.I. / FG200	60	50	242.55	-	32	223	-	32	-	119	7.50
N0768	72H100	9	2012	C.I. / FG200	72	50	291.06	-	32	270	-	32	-	119	9.00
N0769	84H100	9	2012	C.I. / FG200	84	50	339.57	-	32	318	-	32	-	106	10.00
N0770	96H100	9	2517	C.I. / FG200	96	60	388.08	-	34	366	5.5	45	5.5	119	13.80
N0771	120H100	9	2517	C.I. / FG200	120	60	485.10	-	34	462	5.5	45	5.5	119	22.00

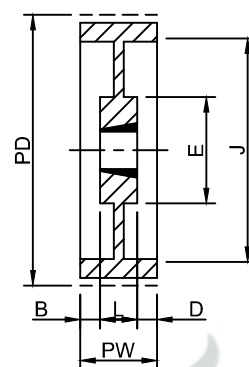
Please note all dimensions are in mm



TYPE 4F



TYPE 7F



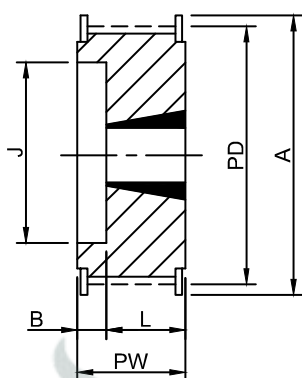
TYPE 7

TECHNICAL SPECIFICATIONS

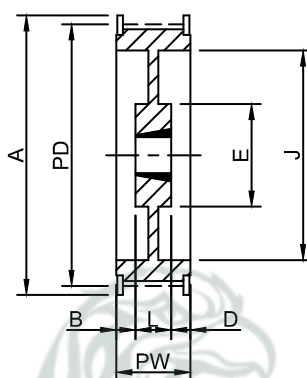
1/2" Pitch Pulley for 1 1/2" Wide belts. Ref. H150

PART NO.	PULLEY SIZE	PULLEY TYPE	BUSH NO	MATERIAL	NO. OF TEETH	MAX BORE (MB)	PD	A	PW	J	B	L	D	E	APPROX WEIGHT (kg)
N0772	18H150	4F	1210	C.I. / FG200	18	32	72.77	79	45	52	20	25	-	-	1.45
N0773	19H150	4F	1210	C.I. / FG200	19	32	76.81	83	45	56	20	25	-	-	1.55
N0774	20H150	4F	1210	C.I. / FG200	20	32	80.95	87	45	60	20	25	-	-	1.70
N0775	21H150	4F	1210	C.I. / FG200	21	32	84.89	91	45	64	20	25	-	-	1.87
N0776	22H150	4F	1210	C.I. / FG200	22	32	88.94	95	45	67	20	25	-	-	2.07
N0777	23H150	4F	1610	C.I. / FG200	23	42	92.98	98	5	70	20	25	-	-	2.28
N0778	24H150	4F	1610	C.I. / FG200	24	42	97.02	103	45	74	20	25	-	-	2.50
N0779	25H150	4F	1610	C.I. / FG200	25	42	101.06	106	45	77	20	25	-	-	2.71
N0780	26H150	4F	1610	C.I. / FG200	26	42	105.11	112	45	82	20	25	-	-	2.99
N0781	27H150	4F	1610	C.I. / FG200	27	42	109.15	115	45	85	20	25	-	-	3.15
N0782	28H150	4F	1610	C.I. / FG200	28	42	113.19	120	45	91	20	25	-	-	3.39
N0783	30H150	4F	1610	C.I. / FG200	30	42	121.28	128	45	98	20	25	-	-	3.86
N0784	32H150	7F	1610	C.I. / FG200	32	42	129.36	135	45	106	10	25	10	80	4.37
N0785	36H150	7F	1610	C.I. / FG200	36	42	145.53	151	45	121	10	25	10	92	5.50
N0786	40H150	7F	1610	C.I. / FG200	40	42	161.70	168	45	138	10	25	10	92	6.80
N0787	44H150	7F	2012	C.I. / FG200	44	50	177.87	184	45	152	6.5	32	6.5	92	8.50
N0788	48H150	7F	2012	C.I. / FG200	48	50	194.04	200	45	169	6.5	32	6.5	106	8.80
N0789	60H150	7	2012	C.I. / FG200	60	50	242.55	-	46	223	7	32	7	106	9.00
N0790	72H150	7	2012	C.I. / FG200	72	50	291.06	-	46	270	7	32	7	106	11.00
N0791	84H150	7	2012	C.I. / FG200	84	50	339.57	-	46	320	7	32	7	106	13.00
N0792	96H150	7	2517	C.I. / FG200	96	60	388.08	-	45	366	-	45	-	119	17.00
N0793	120H150	7	2517	C.I. / FG200	120	60	485.10	-	45	462	-	45	-	119	25.00

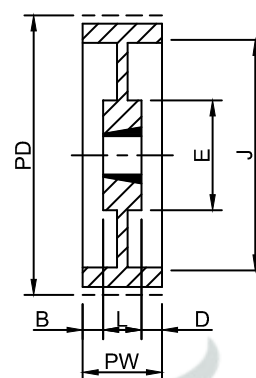
Please note all dimensions are in mm



TYPE 4F



TYPE 7F



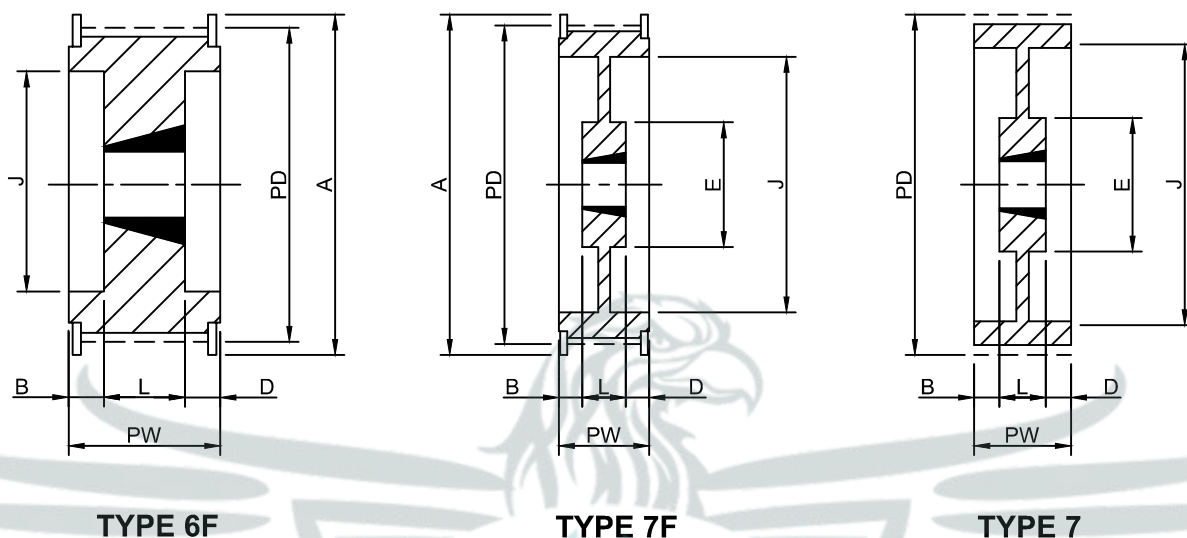
TYPE 7

TECHNICAL SPECIFICATIONS

1/2" Pitch Pulley for 2" Wide belts. Ref. H200

PART NO.	PULLEY SIZE	PULLEY TYPE	BUSH NO	MATERIAL	NO. OF TEETH	MAX BORE (MB)	PD	A	PW	J	B	L	D	E	APPROX WEIGHT (kg)
N0794	18H200	4F	1210	C.I. / FG200	18	32	72.77	79	58	52	33	25	-	-	1.65
N0795	19H200	4F	1210	C.I. / FG200	19	32	76.81	83	58	56	33	25	-	-	1.90
N0796	20H200	4F	1610	C.I. / FG200	20	42	80.95	87	58	60	33	25	-	-	2.11
N0797	21H200	4F	1610	C.I. / FG200	21	42	84.89	91	58	64	33	25	-	-	2.23
N0798	22H200	4F	1610	C.I. / FG200	22	42	88.94	95	58	67	33	25	-	-	2.45
N0799	23H200	4F	1610	C.I. / FG200	23	42	92.98	98	58	70	33	25	-	-	2.71
N0800	24H200	4F	1610	C.I. / FG200	24	42	97.02	103	58	74	33	25	-	-	2.97
N0801	25H200	4F	1610	C.I. / FG200	25	42	101.06	106	58	77	33	25	-	-	3.32
N0802	26H200	4F	1610	C.I. / FG200	26	42	105.11	112	58	82	33	25	-	-	3.61
N0803	27H200	4F	1610	C.I. / FG200	27	42	109.15	115	58	85	33	25	-	-	3.90
N0804	28H200	4F	1610	C.I. / FG200	28	42	113.19	120	58	91	33	25	-	-	4.10
N0805	30H200	4F	1610	C.I. / FG200	30	42	121.28	128	58	98	33	25	-	-	4.74
N0806	32H200	4F	1610	C.I. / FG200	32	50	129.36	135	58	106	26	32	-	-	5.60
N0807	36H200	7F	2012	C.I. / FG200	36	50	145.53	151	58	121	13	32	13	102	7.10
N0808	40H200	7F	2012	C.I. / FG200	40	50	161.70	168	58	138	13	32	13	106	8.40
N0809	44H200	7F	2012	C.I. / FG200	44	60	177.87	184	58	150	13	32	13	106	10.50
N0810	48H200	7F	2517	C.I. / FG200	48	60	194.04	200	58	169	6.5	45	6.5	119	8.60
N0811	60H200	7	2517	C.I. / FG200	60	60	242.55	-	60	223	7.5	45	7.5	119	11.00
N0812	72H200	7	2517	C.I. / FG200	72	60	291.06	-	60	270	7.5	45	7.5	119	14.00
N0813	84H200	7	2517	C.I. / FG200	84	60	339.57	-	60	320	7.5	45	7.5	119	15.00
N0814	96H200	7	2517	C.I. / FG200	96	60	388.08	-	60	366	7.5	45	7.5	119	20.30
N0815	120H200	7	2517	C.I. / FG200	120	60	485.10	-	60	462	7.5	45	7.5	119	28.00

Please note all dimensions are in mm



TECHNICAL SPECIFICATIONS

1/2" Pitch Pulley for 3" Wide belts. Ref. H300

PART NO.	PULLEY SIZE	PULLEY TYPE	BUSH NO	MATERIAL	NO. OF TEETH	MAX BORE (MB)	PD	A	PW	J	B	L	D	E	APPROX WEIGHT (kg)
N0816	20H300	6F	1615	C.I. / FG300	20	42	80.95	87	84	60	23	38	23	-	3.10
N0817	21H300	6F	1615	C.I. / FG300	21	42	84.89	91	84	64	23	38	23	-	3.32
N0818	22H300	6F	1615	C.I. / FG300	22	42	88.94	95	84	67	23	38	23	-	3.67
N0819	23H300	6F	1615	C.I. / FG300	23	42	92.87	98	84	70	23	38	23	-	4.00
N0820	24H300	6F	1615	C.I. / FG300	24	42	97.02	103	84	74	23	38	23	-	4.40
N0821	25H300	6F	1615	C.I. / FG300	25	42	101.06	106	84	77	23	38	23	-	4.79
N0822	26H300	6F	1615	C.I. / FG300	26	42	105.11	112	84	82	23	38	23	-	5.20
N0823	27H300	6F	2012	C.I. / FG300	27	50	109.15	115	84	85	26	32	26	-	5.40
N0824	28H300	6F	2012	C.I. / FG300	28	50	113.19	120	84	91	26	32	26	-	5.60
N0825	30H300	6F	2012	C.I. / FG300	30	50	121.28	128	84	98	26	32	26	-	7.00
N0826	32H300	6F	2517	C.I. / FG300	32	60	129.36	135	84	106	19.5	45	19.5	-	7.80
N0827	36H300	6F	2517	C.I. / FG300	36	60	155.3	151	84	121	19.5	45	19.5	-	9.90
N0828	40H300	6F	2517	C.I. / FG300	40	60	161.70	168	84	138	19.5	45	19.5	-	12.20
N0829	48H300	7F	2517	C.I. / FG300	48	60	194.04	184	86	169	19.5	45	19.5	119	11.40
N0830	60H300	7	2517	C.I. / FG300	60	60	242.55	200	86	223	19.5	45	19.5	119	13.30
N0831	72H300	7	2517	C.I. / FG300	72	60	291.06	-	86	270	19.5	45	19.5	119	19.00
N0832	84H300	7	2517	C.I. / FG300	84	60	339.57	-	86	320	19.5	45	19.5	119	20.00
N0833	96H300	7	3030	C.I. / FG300	96	75	388.08	-	86	366	5	76	5	150	27.00
N0834	120H300	7	3030	C.I. / FG300	120	75	485.10	-	86	462	5	76	5	150	33.0

Please note all dimensions are in mm



AVM TIMING PULLEY PVT. LTD.

(formerly known as Ultrahigh (india) Engineers)

- 📍 60, Vishala Estate (East), Nr. Madhura Estate,
Kathwada Ring Road, Odhav, Ahmedabad - 382415. (Gujarat), India
- 📞 Mr. Amit Patel +91 9327595211
- 📞 +91 93275 95211 | +91 98980 98434
- ✉️ amitptp@gmail.com | info@timingpulleyindia.com
- 🌐 www.avmtimingpulley.com